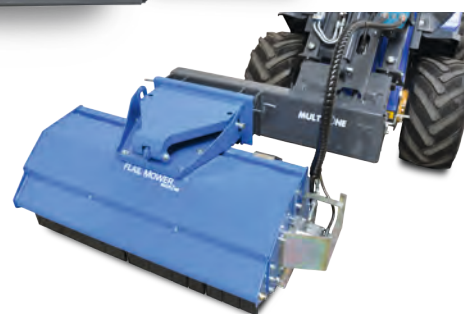


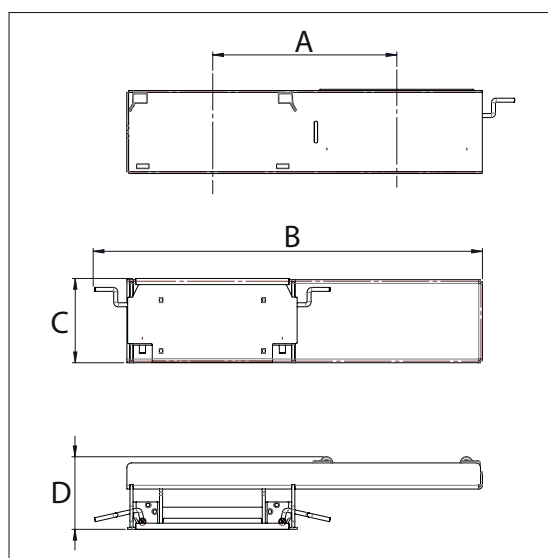
# SIDE SHIFT ADAPTER



## FEATURES & BENEFITS

- Makes it possible to mount the attachment 60 cm (24 in) shifted to the right from the centerline
- Mounts between the attachment and the quick attach plate of the loader

The MultiOne side shift adapter is a simple and strong accessory that is mounted between the attachment and the machine quick attach plate. In this way it is possible to mount the attachment shifted to the right by 60 cm (24 in). It is very useful when, for example, you have to cut grass with a flail mower along the edge of a road.



| Dimensions |      |      |      |     |
|------------|------|------|------|-----|
|            | A    | B    | C    | D   |
| mm         | 600  | 1266 | 274  | 236 |
| in         | 23.6 | 49.8 | 10.8 | 9.3 |

| Model              | Side Shift      | Max Load*          | Weight          | Code           |
|--------------------|-----------------|--------------------|-----------------|----------------|
| Side Shift Adapter | 60 cm (23.6 in) | 1000 kg (2204 lbs) | 60 kg (133 lbs) | <b>C890910</b> |

(\* verify the lifting capacity of the machine)

| Compatibility | 1.1 | 2.3 | 4.2 | 5.2 | 5.3<br>7.2 | 6.3 | 7.3 | 8.4 | 8.5<br>9.5 | 9.6 | 10.8<br>10.9 | 6.3SD | 7.3SD<br>8.4SD | 9.5SD | 12.4* | EZ |
|---------------|-----|-----|-----|-----|------------|-----|-----|-----|------------|-----|--------------|-------|----------------|-------|-------|----|
|               |     |     |     |     |            |     |     |     |            |     |              |       |                |       |       |    |

(\* C890025 adapter required)

