

# RADIO CONTROLLED BACKHOE

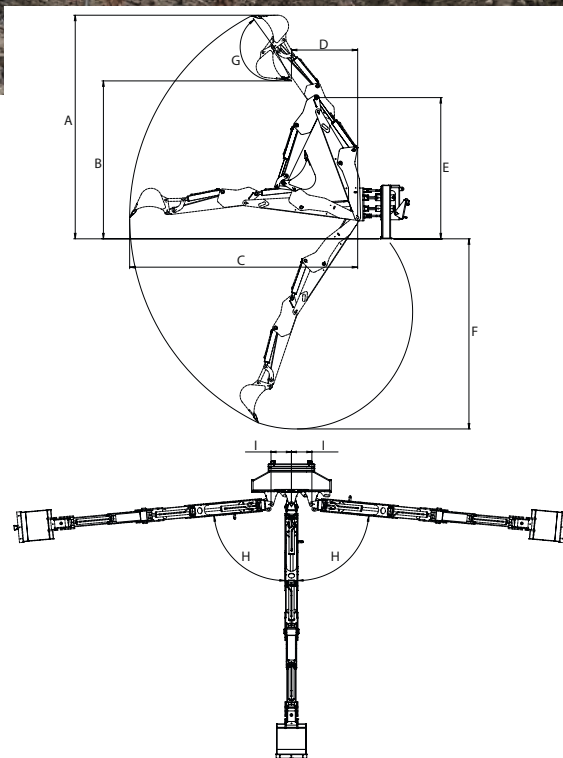


## FEATURES & BENEFITS

- Full Visibility
- Proportional controls
- Fast and easy to use

The MultiOne Backhoe it's a best seller attachment: sturdy, reliable with a huge pushing force and 180° rotation. MultiOne believes in the continuous improvement: from now on it's available the radio controlled version of MultiOne Backhoe! The proportional controls assure smooth and accurate movements. Thanks to the radio control the operator's seat and hydraulic control are no longer necessary: you can control the backhoe directly from the machine seat or occupy the best position to see the digging area.

It's the best choice to operate on tight spaces and wherever the digging precision it's required. Three models of buckets are available and digging teeth can be installed: 2 teeth for Bucket 25 cm, 3 teeth for Bucket 40 cm and 5 teeth for Bucket 70 cm.



Mod.	A	B	C	D	E	F	G	H	I
215	2702 mm (106.4 in)	1766 mm (69.5 in)	2709 mm (106.6 in)	729 mm (28.7 in)	1749 mm (68.8 in)	2212 mm (87 in)	172°	85°	266 mm (10.5 in)
260	3141 mm (123.6 in)	2219 mm (87.4 in)	3204 mm (126 in)	931 mm (36.6 in)	1984 mm (78.1 in)	2671 mm (105 in)	172°	85°	266 mm (10.5 in)

Model	Digging Depth	Width	Volume	Weight	Code
Backhoe 215 w/bucket 40	215 cm (84.6 in)	/	26 l (0.92 ft <sup>3</sup> )	510 kg (1124 lbs)	<b>C890125</b>
Backhoe 260 w/bucket 40	260 cm (102.4 in)	/	26 l (0.92 ft <sup>3</sup> )	580 kg (1278 lbs)	<b>C890126</b>

Options					
Bucket 25 cm (9.8 in)	/	25 cm (9.8 in)	15,5 l (0.55 ft <sup>3</sup> )	25 kg (55 lbs)	<b>C890123</b>
Bucket 70 m (27,5 in)	/	70 cm (27.5 in)	47 l (1.66 ft <sup>3</sup> )	47 kg (104 lbs)	<b>C890124</b>
Bolt-on tooth kit (each)	/	/		1,7 kg (3.7 lbs)	<b>C890007</b>

Compatibility	1.1	2.3	4.2	5.2	5.3 7.2	6.3	7.3	8.4	8.5 9.5	9.6	10.8 10.9	6.3SD	7.3SD 8.4SD	9.5SD	12.4*	EZ
<b>Model</b>																
215																
260																

(\*) C890025 adapter required

