






8 SERIES: 8.4S K

NEW

 TIPPING LOAD 1600 kg	 ENGINE POWER 37-26 hp	 SPEED 26-22 km/h	 FLOW RATE 67-52 l/min	 LIFT HEIGHT 2,98 m
--	---	--	---	--



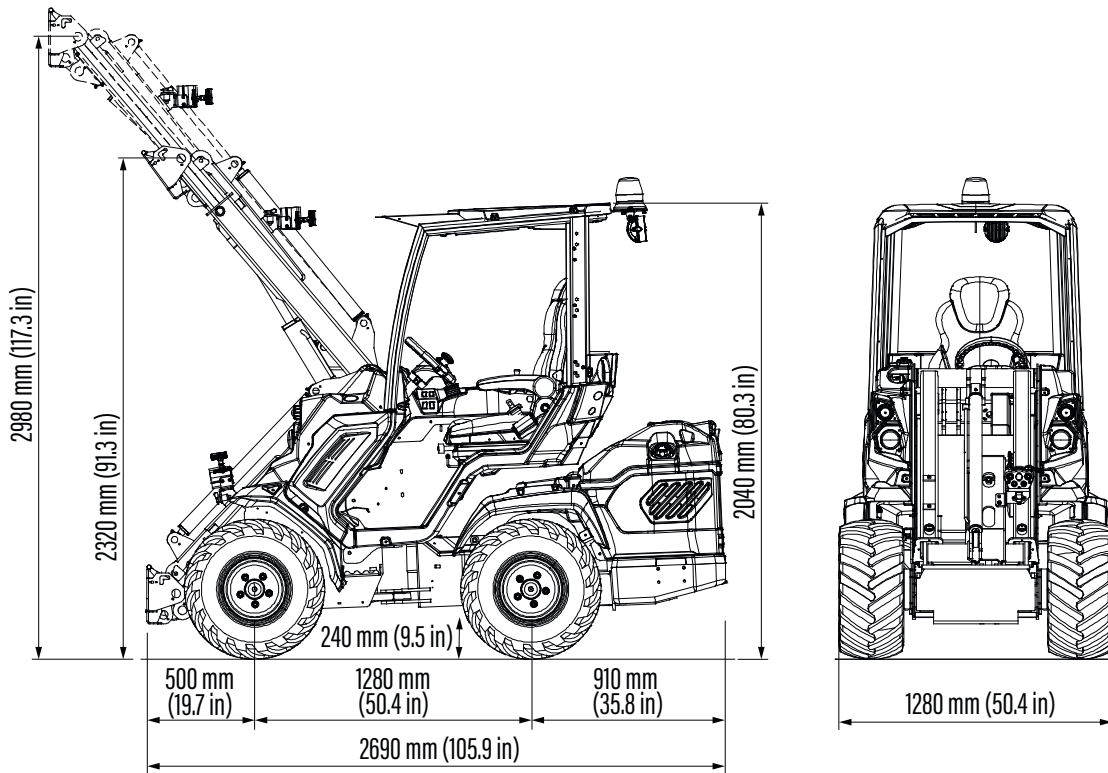
ACI
ATTACHMENT
CONTROL
INTERFACE

CRUISE
CONTROL

Model	8.4S K STAGE IIIA	8.4S K STAGE V
Engine	Kubota V1505, 4 cyl -1498 cc	
Emission Standards	Stage IIIA	Stage V - TIER 4 Final
Power (Iso Gross) / Torque	37.5 HP / 97 Nm @ 2000 rpm	26 HP / 93 Nm @ 1700 rpm
Fuel	Diesel	
Transmission	Hydrostatic OneDrive	
Drive speed (max.) ⁽¹⁾	13 - 26 km/h (8 - 16 mph)	11 - 22 km/h (6.8 - 13.6 mph)
Aux. hydraulics oil flow	67 l/min (17.7 GPM)	52 l/min (13.7 GPM)
Max. lifting height	2,98 m (117.3 in)	
Tipping load, max ⁽²⁾	1600 kg (3527 lbs)	
Lifting capacity straight ⁽³⁾	1280 kg (2822 lbs)	
Lifting capacity fully articulated ⁽⁴⁾	1070 kg (2360 lbs)	
Breakout force / 50 cm	1700 kg (3748 lbs)	
Pushing force (c)	2050 kgf (2050 kp)	
Average ground pressure (w/std tires)	1025 kg/m ² (210 lbs/sqft)	
Turning radius: inside/outside	825/2090 mm (32.5/82.3 in)	
Standard tires (Tractor profile)	26X12.00-12	
Weight	1680 kg (3710 lbs)	
Product Code	C963030	C963035

⁽¹⁾ Maximum speed that can be achieved with the largest diameter tires available, on a flat surface and machine without attachments. ⁽²⁾ Maximum load that can be lifted just off the ground when the machine is straight, with rear weights and boom not extended. Weight of attachment included. ⁽³⁾ Machine straight, with rear weights and boom not extended. Weight of attachment is included. (80% of tipping load). ⁽⁴⁾ Machine fully articulated, with rear weights and boom not extended. Weight of attachment is included.





Tires size	Height	Width
23X8.50-12	2020 mm (79.5 in)	1070 mm (42.2 in)
23X10.50-12 ET-25	2020 mm (79.5 in)	1130 mm (44.5 in)
26X12.00-12 ET-50	2040 mm (80.3 in)	1280 mm (50.4 in)
27X8.50-15	2080 mm (81.9 in)	1070 mm (42.1 in)
27X10.50-15	2080 mm (81.9 in)	1150 mm (45.3 in)

FEATURES

- Kubota V1505, 4 cylinder, diesel engine, water cooled, electric start
- Stage IIIA 37.5 HP or STAGE V 26 HP engine
- **OneDrive System:** Cruise Control and Torque Divider activated by Joystick
- Multi-functions joystick with ACI
- Unbreakable Body Panels
- 2 Speed
- Hydraulically pilot operated variable displacement drive pump
- Hi-Flow system
- DBS (Dynamic Block System)
- Self-locking multi-disk parking brake
- Integrated rear weights
- Self-levelling double-H telescopic boom
- Radial Piston high efficiency and heavy duty wheel motors
- 4WD hydrostatic Direct Drive motors, proportional servo control
- Hydraulic oil cooler
- Hydraulic multiconnector
- ROPS-FOPS Level I
- LCD graphic display with programmed service
- 2 front working light
- Ergonomic fully adjustable suspension heated seat with armrests and seat belt

8 SERIES - OPTIONS

Options	Code
110 V engine block heater	C885255
220 V engine block heater	C885250
2" Hitch receiver	C883062
3 additional working halogen light	C883064
3 additional working LED light	C883018
A/C system with heating for fully enclosed cab - for 8.5 models (C883001 required - not aftermarket)	C883801
Additional front hydraulic outlets	C883024
Attachment coupling plate for rear mounting	C880031
Automatic locking plate	C883038
Backup warning beeper	C883021
Beacon light	C883039
Biodegradable oil	C883007
Driver area cover	C880049
Flat face coupling kit	C880221
Floating boom valve	C883011
Fully enclosed cab with sound insulation linen and mirrors	C883001
GPS tracker	C883075
Heating system for 8.4	C883072
Heating system for 8.5	C883074
Left protection bar for operator	C883020
Plexiglass back window (smart cabin)	C883035
Plexiglass right side (smart cabin)	C883034
Plexiglass windscreen (smart cabin)	C883000
Rear 12V electric socket	C883022
Rear bull bar with side extensions for 8.4	C883036
Rear bull bar with side extensions for 8.5	C883066
Rear hydraulic outlets - double for 8.4	C883014
Rear hydraulic outlets - double for 8.5	C883805
Rear hydraulic outlets - single for 8.4	C883013

8 SERIES - OPTIONS

Options	Code
Rear hydraulic outlets - single for 8.5	C883015
Rear side weights 80 kg (40 kg + 40 kg) / 176 lbs (88 lbs + 88 lbs)	C883069
Rear side weights 160 kg (2x40 kg + 2x40 kg) / 352 lbs (2x88lbs+2x88lbs)	C883077
Rear weights 180 kg (90 kg + 90 kg) / 396 lbs (198lbs + 198 lbs)	C880054
Skid tires 27x10.50-15, set of 4	C884012
Skid tires 27x8.50-15, set of 4	C884011
Snow chains for wheel	see page 63
Tie down bracket on wheel hub, set of 4	C883065
Tractor tires 23x10.50-12 ET-25, set of 4	C884007
Tractor tires 23x8.50-12, set of 4	C884005
Trailer coupling	C885014
Turf tires 23x10.50-12 ET-25, set of 4	C884008
Turf tires 23x8.50-12, set of 4	C884006
Turf tires 26x12.00-12 ET-50, set of 4	C884010
Warning & Safety lights for road travel (with mirrors)	C883009
Wheel spacer 10 mm (0.4 in), set of 4 (max. 1 pcs for wheel)	C880090
Wheel spacer 55 mm (2.2 in), set of 4	C885010