






4 SERIES

<http://tiny.cc/4seriesEN>

 TIPPING LOAD 1020 kg	 ENGINE POWER 20 hp	 SPEED 14 km/h	 FLOW RATE 31 l/min	 LIFT HEIGHT 2,75 m
--	---	---	--	--

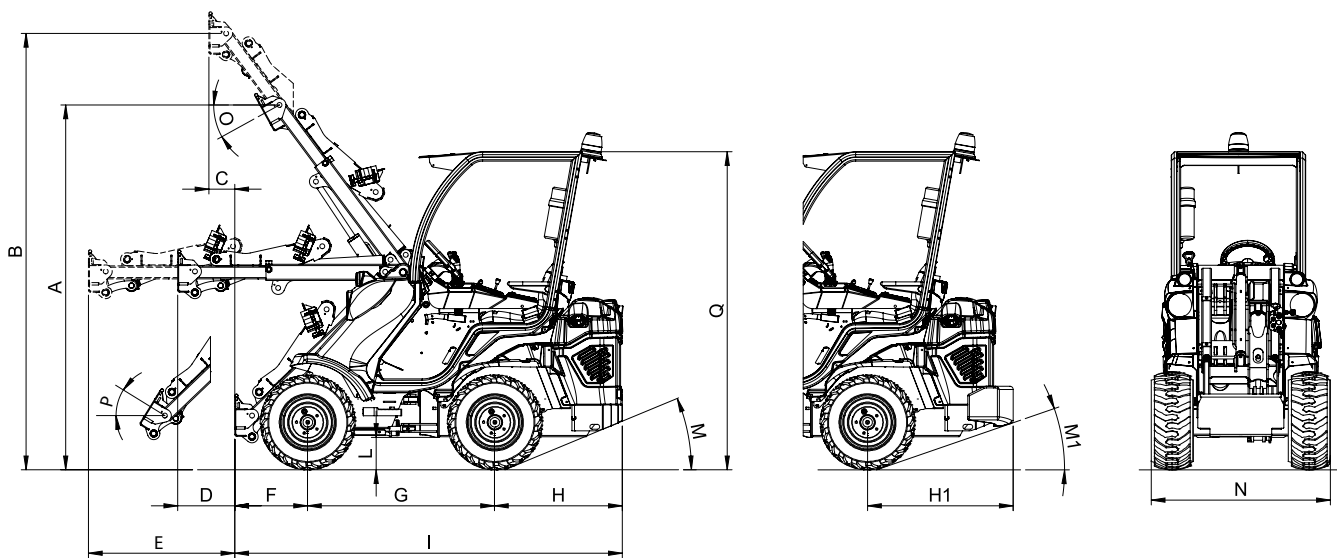


Model	4.2
Engine	Kubota D722, 3 cyl - 719 cc.
Power (Iso Gross) / Torque	20 HP / 45 Nm @ 2400 rpm
Fuel	Diesel
Transmission	Hydrostatic
Drive speed (max.) ⁽¹⁾	14 km/h (8.7 mph)
Aux. hydraulics oil flow	31 l/min (8.2 GPM)
Max. lifting height	2,75 m (108 in)
Tipping load, max ⁽²⁾	1020 kg (2249 lbs)
Lifting capacity straight ⁽³⁾	820 kg (1808 lbs)
Lifting capacity fully articulated ⁽⁴⁾	700 kg (1543 lbs)
Breakout force / 50 cm (19.7 in)	800 kg (1764 lbs)
Pushing force (c)	900 kgf (900 kp)
Specific ground pressure (w/standard tires)	815 kg/m ² (167 lbs/sqft)
Turning radius: inside/outside	890/1890 mm (35/74.4 in)
Standard tires (Tractor profile)	23x8.50-12
Weight	940 kg (2072 lbs)
Product Code	C944000

⁽¹⁾ Maximum speed that can be achieved with the largest diameter tires available, on a flat surface and machine without attachments. ⁽²⁾ Maximum load that can be lifted just off the ground when the machine is straight, with rear weights and boom not extended. Weight of attachment included. ⁽³⁾ Machine straight, with rear weights and boom not extended. Weight of attachment is included. (80% of tipping load) ⁽⁴⁾ Machine fully articulated, with rear weights and boom not extended. Weight of attachment is included.

4 SERIES - FEATURES

- Hydraulic oil cooler
- Hydraulic multiconnector
- Double-H telescopic boom
- 4-functions joystick
- ROPS-FOPS Level I
- LCD graphic display with programmed service (tachometer, hour meter, fuel gauge, maintenance light, light indicator and other 14 indicators)
- 4WD hydrostatic Direct Drive motors, proportional servo control
- 2 front working light
- Seat with armrests and seat belt, adjustable position
- Mechanical parking brake
- High efficiency wheel motors



DIMENSIONS (mm / in)

A - Pivot point height (not extended boom)	2250 / 88.6	I - Machine length	2390 / 94.1
B - Pivot point height (extended boom)	2750 / 108.3	L - Ground clearance	200 / 7.9
C - Outreach with lifted boom (extended)	160 / 6.3	M - Angle of departure	19°
D - Outreach with orizontal boom (not extended)	350 / 13.8	M1 - Angle of departure (with rear weights)	19°
E - Outreach with orizontal boom (extended)	900 / 35.4	N - Max width (with standard tires)	980 / 38.6
F - Front length	450 / 17.7	O - Dump angle	29°
G - Wheelbase	1150 / 45.3	P - Rollback angle	31°
H - Rear length	790 / 31.1	Q - Height (with standard tires)	1960 / 77.2
H1 - Rear length with rear weights	900 / 35.4		

Tires size	Width (N)	Height (Q)
23x8.50-12	980 mm (38.6 in)	1960 mm (77.2 in)
23x10.50-12 ET-25	1090 mm (42.9 in)	1960 mm (77.2 in)
27x8.50-15	1000 mm (39.4 in)	2010 mm (79.1 in)
26x12.00-12 ET-50	1200 mm (47.2 in)	1998 mm (78.6 in)

4 - 5 SERIES - OPTIONS

Options	Code
110 V engine block heater	C885255
220 V engine block heater	C885250
3 additional working halogen light	C883064
3 additional working LED light	C883018
Additional front hydraulic outlets (only 5.3)	C883503
Attachment coupling plate for rear mounting	C880031
Backup warning beeper	C883512
Beacon light	C883039
Biodegradable oil	C883058
Driver area cover	C880049
Flat face coupling kit	C880221
Floating boom valve	C885223
Floating boom valve for 4.2 without self-leveling boom	C883401
Fully enclosed cab with sound insulation linen and mirrors	C883510
Heated seat	C885216
Heating system	C885205
Left protection bar for operator	C885026
Multifunction joystick (only 4.2 and 5.2)	C883061
Plexiglass back window (smart cabin)	C883508
Plexiglass right side (smart cabin)	C883507
Plexiglass windscreen (smart cabin)	C883506
Rear 12V electric socket	C883022
Rear bull bar	C883047
Rear hydraulic outlets - double	C883502
Rear hydraulic outlets - single	C883501
Rear weights 180 kg (90 kg + 90 kg) / 396 lbs (198lbs + 198 lbs)	C880054
Skid tires 27x8.50-15, set of 4	C884011
Snow chains for wheel	see page 69
Tie down bracket on wheel hub, set of 4	C883065

4 - 5 SERIES - OPTIONS

Options	Code
Torque divider	C883004
Tractor tires 23x10.50-12 ET-25, set of 4	C884007
Tractor tires 23x8.50-12, set of 4	C884005
Tractor tires 26x12.00-12 ET-50, set of 4	C884009
Trailer coupling	C885014
Turf tires 23x10.50-12 ET-25, set of 4	C884008
Turf tires 23x8.50-12, set of 4	C884006
Turf tires 26x12.00-12 ET-50, set of 4	C884010
Warning & Safety lights for road travel with mirrors	C883511
Wheel spacer 10 mm (0.4 in), set of 4 (max. 2 pcs for wheel)	C880090
Wheel spacer 55 mm (2.2 in), set of 4	C885010