






10 SERIES: 10.9

<http://tiny.cc/10seriesEN>**KOHLER**
ENGINES

 TIPPING LOAD 2700 kg	 ENGINE POWER 75 hp	 SPEED 32/40 km/h	 FLOW RATE 95 l/min	 LIFT HEIGHT 3,21 m
--	---	--	--	--

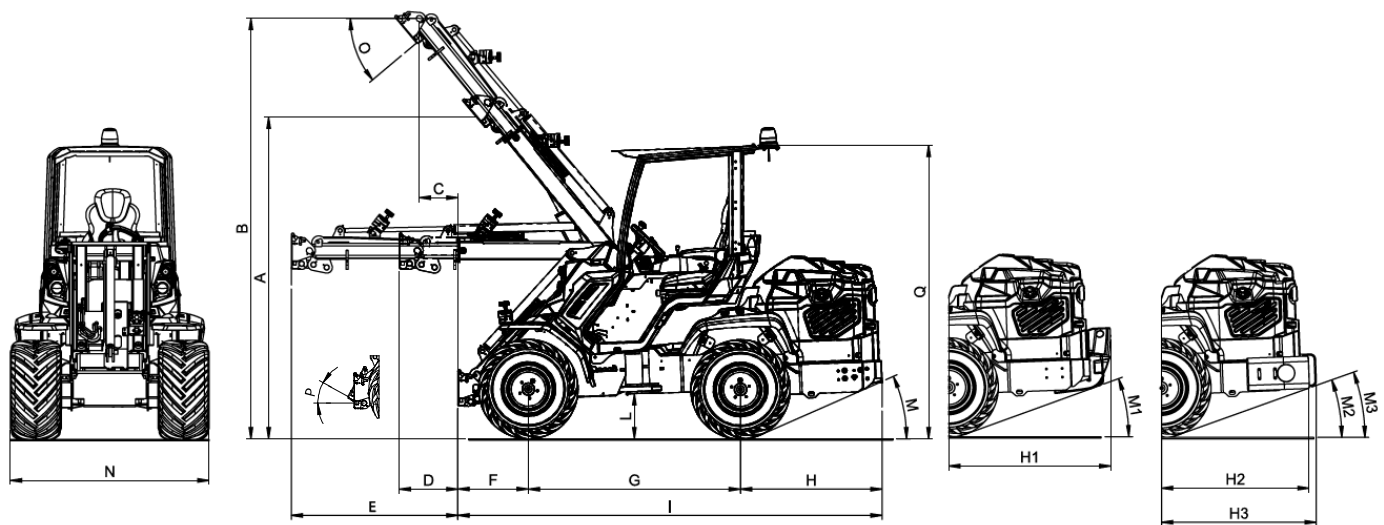


Model	10.9
Engine	Kolher 2504TCR
Power (Iso Gross)	75 HP
Fuel	Diesel
Transmission	Hydrostatic
Drive speed (max.) - 2 speed ⁽¹⁾	16 - 32 km/h (10 - 20 mph) 20 - 40 km/h (12.4 - 24.8 mph) - optional
Aux. hydraulics oil flow	95 l/min (25 GPM)
Max. lifting height	3,21 m (126.4 in)
Tipping load, max ⁽²⁾	2700 kg (5952 lbs)
Lifting capacity straight ⁽³⁾	2160 kg (4762 lbs)
Lifting capacity fully articulated ⁽⁴⁾	1700 kg (3748 lbs)
Breakout force / 50 cm	2600 kg (5732 lbs)
Pushing force (c)	2650 kgf (2650 kp)
Specific ground pressure (w/standard tires)	874 kg/m ² (179 lbs/sqft)
Turning radius: inside/outside	1030/2550 mm (40.5/100.4 in)
Standard tires (Tractor profile)	31X15.50-15 (400/50-15)
Weight	2100 kg (4630 lbs)
Product Code	C966005

⁽¹⁾ Maximum speed that can be achieved with the largest diameter tires available, on a flat surface and machine without attachments. ⁽²⁾ Maximum load that can be lifted just off the ground when the machine is straight, with rear weights and boom not extended. Weight of attachment included. ⁽³⁾ Machine straight, with rear weights and boom not extended. Weight of attachment is included. (80% of tipping load). ⁽⁴⁾ Machine fully articulated, with rear weights and boom not extended. Weight of attachment is included.

10.9 - FEATURES

- New Turbo Common Rail Kohler engine (STAGE IIIB, TIER 4 Final, STAGE V ready)
- ETC - Electronic Throttle Control
- Multifunction Engine Display
- Hi-Flow system
- DBS (Dynamic Block System)
- Torque divider
- Engine power control
- Multi-functions joystick
- Self-levelling double-H telescopic boom
- Multi-disk parking brake
- Radial Piston high efficiency and heavy duty wheel motors
- 4WD hydrostatic Direct Drive motors, proportional servo control
- 2 Speed
- Hydraulic oil cooler
- Hydraulic multiconnector
- ROPS-FOPS Level I
- LCD graphic display with programmed service (tachometer, hour meter, fuel gauge, maintenance light, light indicator and other 14 indicators)
- 2 front working light
- Ergonomic full adjustable suspension seat with armrests and seat belt.



DIMENSIONS (mm / in)

A - Pivot point height (not extended boom)	2530 / 99.6	I - Machine length (w/o rear weights)	3200 / 126
B - Pivot point height (extended boom)	3210 / 126.4	L - Ground clearance	340 / 13.4
C - Outreach with lifted boom (extended)	460 / 18	M - Angle of departure (w/o rear weights)	24°
D - Outreach with orizontal boom (not extended)	460 / 18	M1 - Angle of departure (w/ 440 kg rear weights)	19°
E - Outreach with orizontal boom (extended)	1256 / 49.5	M2 - Angle of departure (w/ 180 kg rear weights - side)	21°
F - Front length	530 / 20.8	M3 - Angle of departure (w/ 180 kg rear weights - rear)	21°
G - Wheelbase	1600 / 63	N - Max width (w/ standard tires)	1500 / 59
H - Rear length (w/o rear weights)	1070 / 42	O - Dump angle	31°
H1 - Rear length (w/ 440 kg rear weights)	1225 / 48.2	P - Rollback angle	29°
H2 - Rear length (w/ 180 kg rear weights - side)	1115 / 43.9	Q - Height (w/ standard tires)	2150 / 84.6
H3 - Rear length (w/ 180 kg rear weights - rear)	1170 / 46	Q1 - Height with A/C (w/ standard tires)	2350 / 92.5

Tires size	Width (N)	Height (Q)
31X15.50-15	1500 mm (59 in)	2150 mm (84.6 in)
27X10.50-15	1370 mm (54 in)	2100 mm (83 in)
27X8.50-15	1320 mm (52 in)	2100 mm (83 in)
26X12.00-12 ET0	1410 mm (55.5 in)	2090 mm (82.5 in)
26X12.00-12 ET-50	1510 mm (59.4 in)	2090 mm (82.5 in)

10.9 - OPTIONS

Options	Code
110 V engine block heater	C885255
220 V engine block heater	C885250
3 additional working halogen light	C883064
3 additional working LED light	C883018
A/C system with heating for fully enclosed cab (C883001 required - not aftermarket)	C883902
Additional front hydraulic outlets	C883026
Attachment coupling plate for rear mounting	C880031
Automatic locking plate	C883008
Backup warning beeper	C883021
Beacon light	C883039
Biodegradable oil	C883032
Driver area cover	C880049
Flat face coupling kit	C880221
Floating boom valve	C883011
Fully enclosed cab with sound insulation linen and mirrors	C883001
Heating system	C883002
High comfort heated seat	C883006
Left protection bar for operator	C883020
Plexiglass back window (smart cabin)	C883035
Plexiglass right side (smart cabin)	C883034
Plexiglass windscreen (smart cabin)	C883000
Rear 12V electric socket	C883023
Rear bull bar with side extensions	C883037
Rear hydraulic outlets - double	C883016
Rear hydraulic outlets - single	C883015
Rear weights (440 kg / 970 lbs)	C885025
Rear weights 180 kg (90 kg + 90 kg) / 396 lbs (198lbs + 198 lbs)	C880054
Rubber tracks for 10 series (The kit weights 750 kg / 1655 lbs and increases the height of the machine by 6 cm / 2,4 in)	C883107
Skid tires 27x10.50-15, set of 4	C884012

10.9 - OPTIONS

Options	Code
Skid tires 27x8.50-15, set of 4	C884011
Snow chains for wheel	see page 69
Tie down bracket on wheel hub, set of 4	C883065
Tractor tires 26x12.00-12 ET-50, set of 4	C884009
Trailer coupling	C885017
Turf tires 26x12.00-12 ET-50, set of 4	C884010
Turf tires 400/50-15, set of 4	C884013
Warning & Safety lights for road travel (with mirrors)	C883010
Wheel spacer 10 mm (0.4 in), set of 4 (max. 1 pcs for wheel)	C880090
Wheel spacer 55 mm (2.2 in), set of 4	C885010