






2 SERIES

<http://tiny.cc/multione2-2EN>**NEW**

 TIPPING LOAD 700 kg	 ENGINE POWER 26,5 hp	 SPEED 15 km/h	 FLOW RATE 42 l/min	 LIFT HEIGHT 1,6 m
---	---	---	--	---

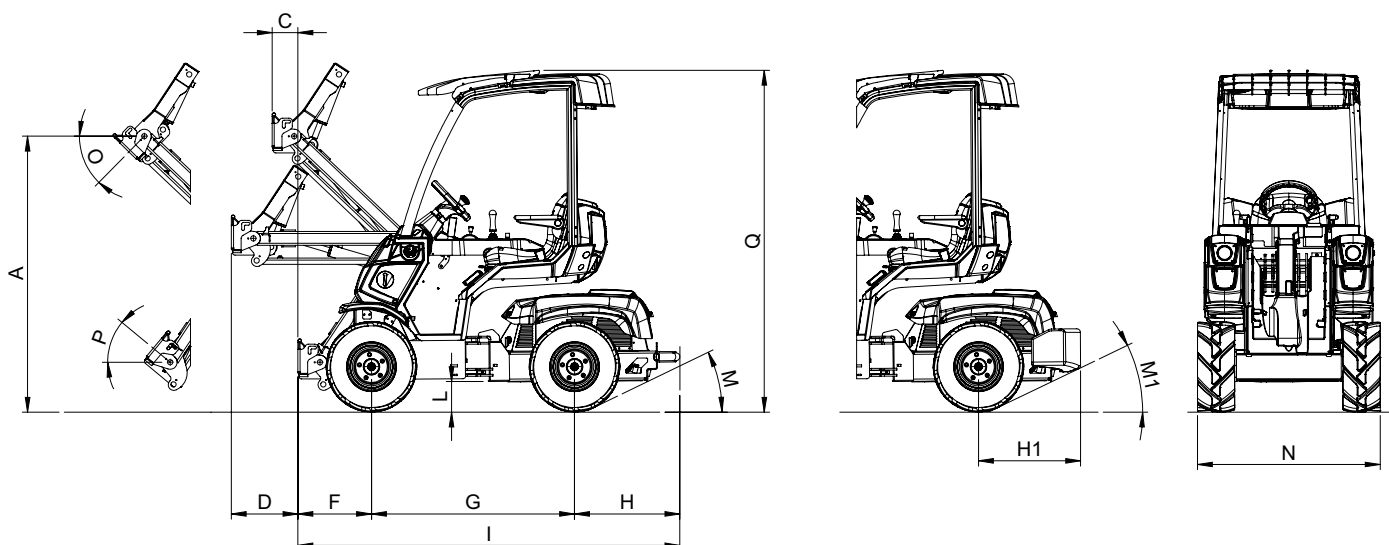
**KOHLER**
ENGINES**EFI**
ELECTRONIC
FUEL
INJECTION

Model	2.3 EFI
Engine	KOHLER Command Pro EFI ECV749
Power (Iso Gross)	26,5 HP
Fuel	Petrol
Transmission	Hydrostatic
Drive speed (max.) ⁽¹⁾	15 km/h (9.3 mph)
Aux. hydraulics oil flow	42 l/min (11.1 GPM)
Max. lifting height	1,6 m (63 in)
Tipping load, max ⁽²⁾	700 kg (1543 lbs)
Lifting capacity straight ⁽³⁾	560 kg (1235 lbs)
Lifting capacity fully articulated ⁽⁴⁾	450 kg (992 lbs)
Breakout force / 50 cm (19.7 in)	840 kg (1852 lbs)
Pushing force (c)	770 kgf (770 kp)
Specific ground pressure (w/standard tires)	613 kg/m ² (126 lbs/sqft)
Turning radius: inside/outside	700/1698 mm (27.6/66.9 in)
Standard tires (Tractor profile)	20x8.00-10
Weight	747 kg (1647 lbs)
Product Code	C951028

⁽¹⁾ Maximum speed that can be achieved with the largest diameter tires available, on a flat surface and machine without attachments.⁽²⁾ Maximum load that can be lifted just off the ground when the machine is straight and with rear weights. Weight of attachment included.⁽³⁾ Machine straight, with rear weights. Weight of attachment is included. (80% of tipping load).⁽⁴⁾ Machine fully articulated, with rear weights. Weight of attachment is included.**MULTI**1**ONE**

2 SERIES - FEATURES

- New Kohler engine, 2 cyl. petrol with electronic fuel injection (EFI)
- New stronger frame
- New geometry and linkage for the tilt mechanics, improved breakout force and dump/rollback angles
- 180 kg rear weights available
- DBS (Dynamic Block System)
- Hydraulic oil cooler
- Self-levelling H-frame boom
- Hydraulic multiconnector
- 4-functions joystick
- 4WD hydrostatic Direct Drive motors, proportional servo control
- ROPS-FOPS Level I
- 2 front working light
- Ergonomic seat with armrests and seat belt, adjustable position
- Mechanical parking brake
- High efficiency wheel motors



DIMENSIONS (mm / in)

A - Pivot point height (not extended boom)	1580 / 62.2	L - Ground clearance	175 / 6.9
C - Outreach with lifted boom	148 / 5.8	M - Angle of departure	26°
D - Outreach with orizontal boom	381 / 15	M1 - Angle of departure (with rear weights)	26°
F - Front length	421 / 16.6	N - Max width (with standard tires)	1047 / 41.2
G - Wheelbase	1163 / 45.8	O - Dump angle	46°
H - Rear length	603 / 23.7	P - Rollback angle	40°
H1 - Rear length with rear weights	585 / 23	Q - Height (with standard tires)	1958 / 77
I - Machine length	2187 / 86.1		

Tires size	Width (N)	Height (Q)
20x8.00-10	1047 mm (41.2 in)	1958 mm (77 in)
23x8.50-12	1060 mm (41.7 in)	1996 mm (78.6 in)

2 SERIES - OPTIONS

Options	Code
3 additional working halogen light	C883064
3 additional working LED light	C883018
Backup warning beeper	C883021
Beacon light	C883039
Biodegradable oil	C883200
Driver area cover	C880049
Flat face coupling kit	C880221
Fully enclosed cab with heating system and mirrors	C885224
Heated seat	C885216
Kohler Bluetooth diagnostic interface kit (compatible with Android or iOS diagnostic applications)	C883201
Left protection bar for operator	C885027
Plexiglass back window (smart cabin)	C885239
Plexiglass right side (smart cabin)	C885238
Plexiglass windscreen (smart cabin)	C885237
Rear weights 180 kg (90 kg + 90 kg) / 396 lbs (198lbs + 198 lbs)	C880054
Snow chains for wheel	see page 69
Tie down bracket on wheel hub, set of 4	C883065
Torque divider	C883004
Tractor tires 23x8.50-12, set of 4	C884005
Trailer coupling	C885014
Turf profile tires 20x8.00-10, set of 4	C885211
Turf tires 23x8.50-12, set of 4	C884006
Warning & Safety lights for road travel (with mirrors)	C885229
Wheel spacer 10 mm (0,4 in), set of 4 (max. 2 pcs for wheel)	C880090
Wheel spacer 55 mm (2,2 in), set of 4	C885010