

SHOOT REMOVER

<http://tiny.cc/shootremover>

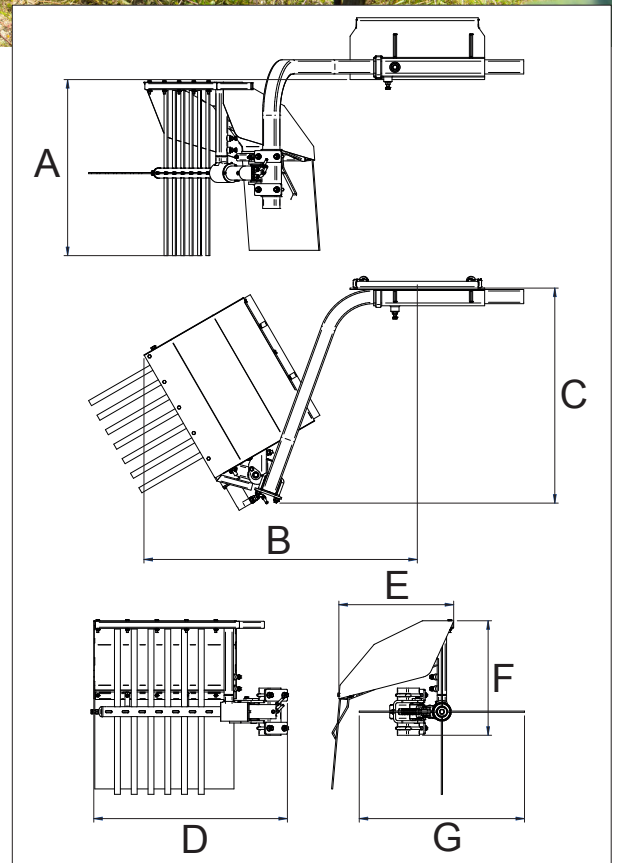


FEATURES & BENEFITS

- Low wear cutter string
- Variable offset
- Efficient and reliable

The MultiOne shoot remover is an ideal tool for the removal of weeds and plant shoots from around trees. Hydraulically powered, it gently removes the shoots without causing tree trunk damage.

The shoot remover frame can be offset to the right to allow for variable working conditions. Replacement of the long lasting rubber strings is quick and easy.



Dimensions (mm/in)						
A	B	C	D	E	F	G
746	1160	910	820	490	490	700
29.4	45.7	35.8	32.3	19.3	19.3	27.6

Model	Rotor Length	Offset Max	Weight	Code
Shoot Remover	82 cm (32.3 in)	25 cm (9.8 in)	50 kg (110 lbs)	C890436

Compatibility	1.1	2.3	4.2	5.2	5.3	7.2	6.3	7.3	8.4	8.5	9.5	9.6	10.8	10.9	6.3SD	7.3SD	8.4SD	9.5SD	12.4*	EZ

(*) C890025 adapter required



Copyright © 2019 by MultiOne S.r.l. All rights reserved. No part of this publication may be reproduced, distributed, or transmitted in any form or by any means. The information and images in this document are provided for illustrative purposes only and do not bind the manufacturer, who reserves the right to make modifications at any time without prior warning.