

# FLAIL MOWER WITH SIDE SHIFT

<http://tiny.cc/flailmowerside>

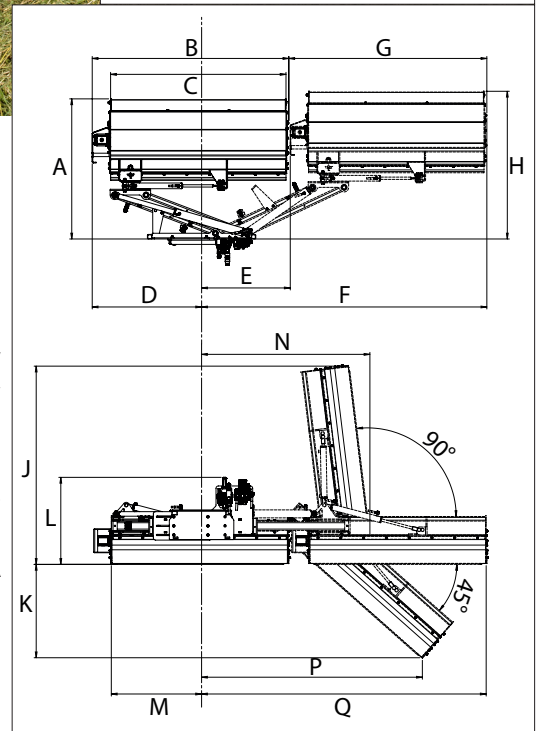


## FEATURES & BENEFITS

- Hydraulic side shift and angle control flail mower
- Powerful attachment
- Equipped with direct drive hydraulic motor

Use this hydraulically powered flail mower with side shift for heavy shrubs and weeds, and see what it can do! Not only is its heavy duty construction, combined with the power and stability of the MultiOne, perfect for use on slopes, it's also perfect for mulching in parks and other hard to reach places. Features: **1)** Standard in-line front flail mower. **2)** Offset length (174 cm / 68.5 in). **3)** To -45° angle ditch mower. **4)** To +90° angle bank and hedge mower. A wide choice of cutting blades for the different types of vegetation is available as option.

**Note:** the floating boom valve on machine is required.



Dimensions (mm / in)															
Mod.	A	B	C	D	E	F	G	H	J	K	L	M	N	P	Q
110	1230	1276	1090	960	778	2054	1738	1297	1294	526	764	792	1477	1592	2148
	48.4	50.2	42.9	37.8	30.6	80.9	68.4	51	51	20.7	30	31.2	58.1	62.7	84.6
125	1230	1426	1240	960	778	2204	1738	1297	1443	626	764	792	1477	1704	2298
	48.4	56.1	48.8	37.8	30.6	86.8	68.4	51	56.8	24.6	30	31.2	58.1	67.1	90.5

Model	Cutting Width	Tools	Rotation Angle	Max Side Shift	Weight	Code
110	100 cm (39.4 in)	20	+90° / - 45°	174 cm (68.5 in)	277 kg (610 lbs)	<b>C890594</b>
125	115 cm (45.3 in)	24	+90° / - 45°	174 cm (68.5 in)	300 kg (662 lbs)	<b>C890595</b>

Compatibility	1.1	2.3	4.2	5.2	5.3	6.3	7.3	8.4	8.5	9.6	10.8	10.9	6.3SD	7.3SD	8.4SD	9.5SD	12.4*	EZ
Model																		
110	Very compatible	Compatible	Compatible	Compatible	Compatible	Compatible	Compatible	Compatible	Compatible	Compatible	Compatible	Compatible	Compatible	Compatible	Compatible	Compatible	Compatible	Not compatible
125	Very compatible	Compatible	Compatible	Compatible	Compatible	Compatible	Compatible	Compatible	Compatible	Compatible	Compatible	Compatible	Compatible	Compatible	Compatible	Compatible	Compatible	Not compatible

(\*) C890025 adapter required

