

# SNOW BLOWER

<http://tiny.cc/snowblower>

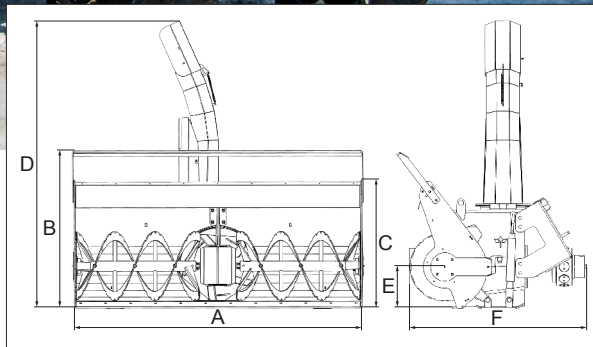


## FEATURES & BENEFITS

- Efficient two-stage snow blowers
- Heavy duty frame and transmission with replaceable cutting edge

The snow blower is an efficient method to remove large amounts of snow from sidewalks, roads, or other large areas when snow needs to be spread out evenly. The two-stage blower provides a powerful and efficient snow removal tool, even if the snow is wet and heavy. To achieve this efficiency, the auger breaks up the snow and the fan throws the snow out of the discharge chute. The chute can be rotated electrically 200° (±100°) and the discharge chute height angle can be manually adjusted from the operator's seat. It is equipped with adjustable skids, to set the working height, and a tool to remove snow blocks.

**Note: the floating boom valve on machine is required.**



Dimensions (cm/in)						
Mod.	A	B	C	D	E	F
100	107/42	/	70/27.5	115/45.3	23/9	75/29.5
120	121/47.6	/	72/28.3	116/45.7	23/9	75/29.5
130	130/51.2	88/34.6	69/27.1	140/55	22,5/8.8	92/36.2
140	140/55	/	80/31.5	/	/	/
160	160/63	89/35	71/28	163/64.2	24/9.5	99/40
180	180/71	89/35	71/28	163/64.2	24/9.5	99/40

Model	Width	Chute rotation	Weight	Code
100	100 cm (39.4 in)	200° (±100°)	70 kg (154 lbs)	<b>C890453</b>
120	120 cm (47.2 in)	200° (±100°)	145 kg (320 lbs)	<b>C890454</b>
130 HD (Heavy Duty)	130 cm (51.2 in)	200° (±100°)	150 kg (331 lbs)	<b>C890472</b>
140	140 cm (55.1 in)	200° (±100°)	220 kg (485 lbs)	<b>C890455</b>
160 HD (Heavy Duty)	160 cm (63.0 in)	200° (±100°)	250 kg (551 lbs)	<b>C890460</b>
180 HD (Heavy Duty)	180 cm (70.9 in)	200° (±100°)	280 kg (618 lbs)	<b>C890466</b>

Compatibility	1.1	2.3	4.2	5.2	5.3 7.2	6.3	7.3	8.4	8.5 9.5	9.6	10.8 10.9	6.3SD	7.3SD 8.4SD	9.5SD	12.4*	EZ
<b>Model</b>																
100	Red	Green	Green	Green	Green	Green	Green	Green	Green	Green	Green	Green	Green	Green	Green	Green
120	Red	Yellow	Green	Green	Green	Green	Green	Green	Green	Green	Green	Green	Green	Green	Green	Green
130 HD	Red	Red	Yellow	Green	Green	Green	Green	Green	Green	Green	Green	Red	Yellow	Green	Green	Green
140	Red	Red	Yellow	Green	Green	Green	Green	Green	Green	Green	Green	Red	Yellow	Green	Green	Green
160 HD	Red	Red	Yellow	Green	Green	Green	Green	Green	Green	Green	Green	Red	Yellow	Green	Green	Green
180 HD	Red	Red	Yellow	Green	Green	Green	Green	Green	Green	Green	Green	Red	Yellow	Green	Green	Green

(\*) C890025 adapter required

Very compatible (Green)      Compatible (Yellow)      Not compatible (Red)

